

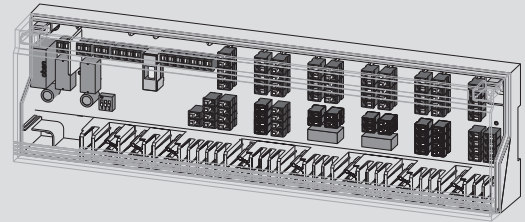
AM-10 connection module heating/cooling 230 V Basicline

Fitting instructions for the electrician

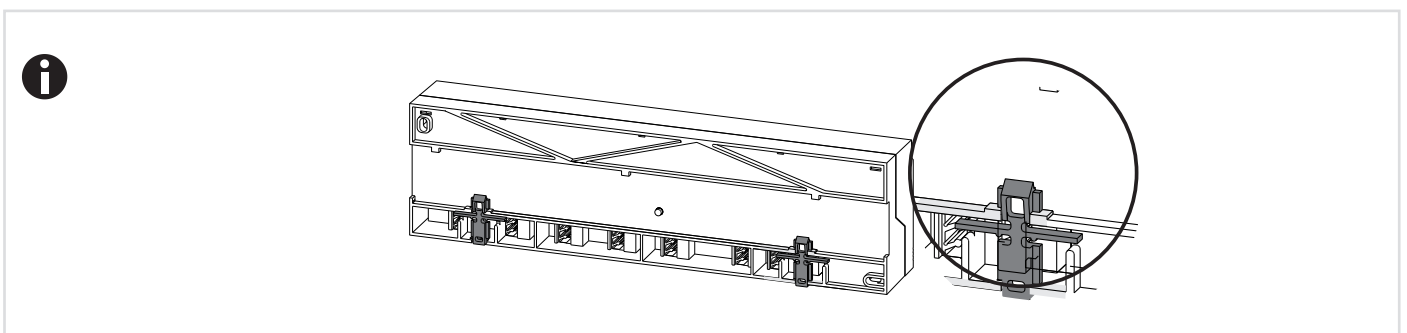
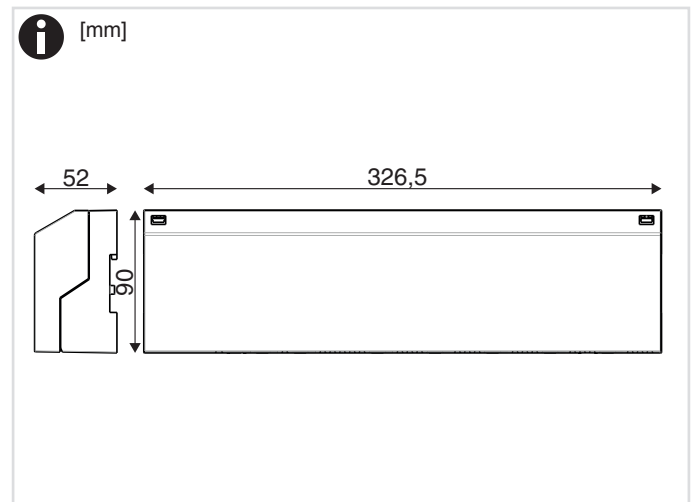
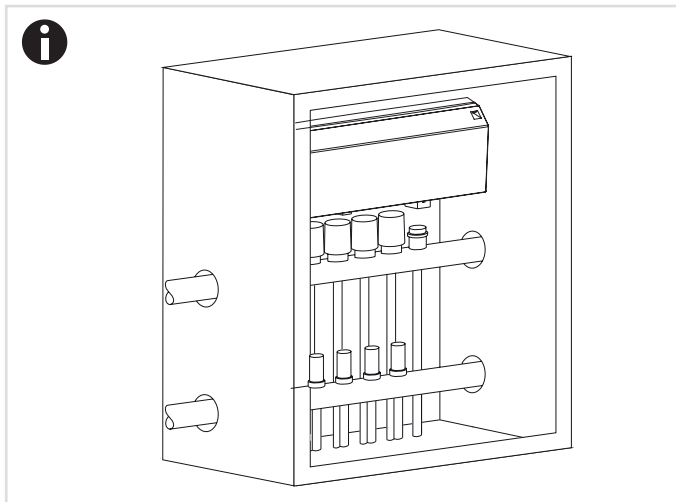
1135007709

AM-10 230 V Basicline

EN Pollution degree 2; Resistance to voltage surges 2500 V;  
as per EN 60730

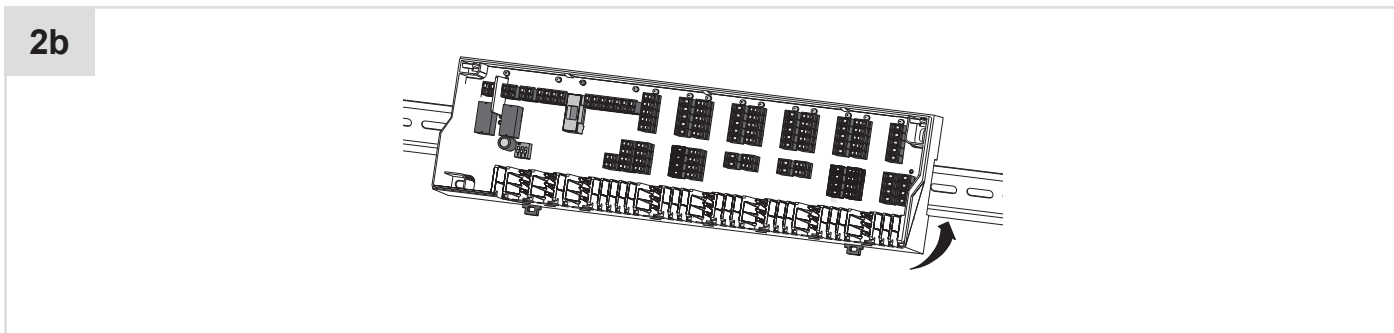
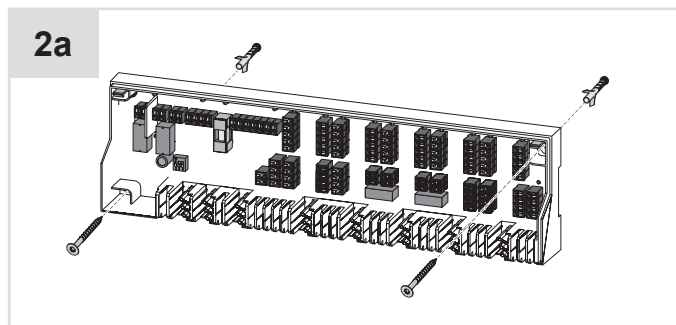
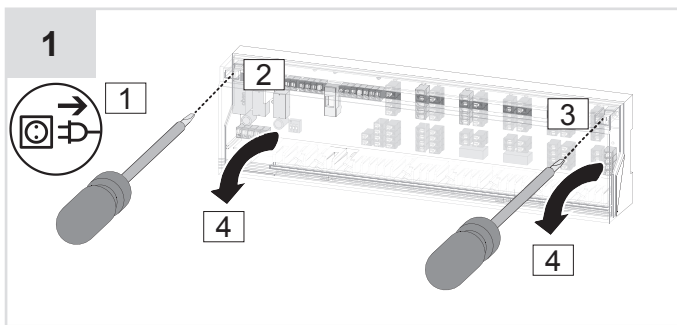


IP20  
EN60529

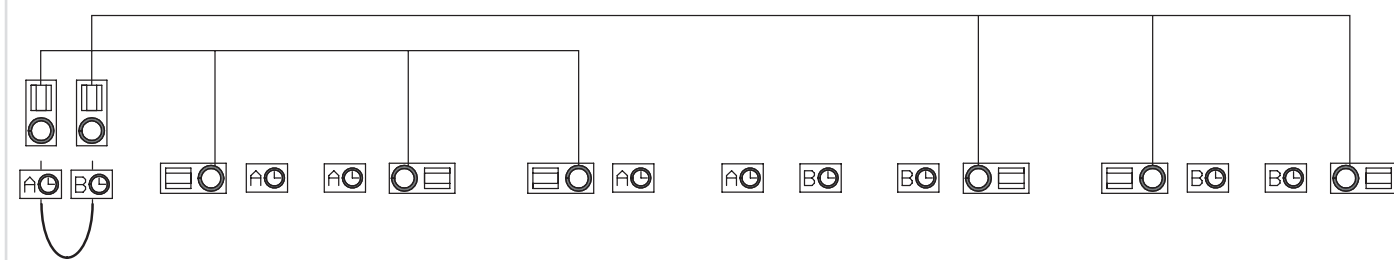


EN **⚠ DANGER** Danger of electrocution. Mains powered parts are located behind the cover.

- ▶ The device may only be opened by a trained electrician.
- ▶ Disconnect the device from the mains before beginning any work on the electrical connections.
- ▶ Only re-apply voltage once the housing has been closed and all installation has been completed.
- ▶ Do not leave the device unattended while the housing is open.



**3 Night set-back mode** The bridge between A and B is required when using the Roth clock thermostat Basicline T.



**4**

Shut-down delay

NO<sub>I</sub>

NC<sub>I</sub>

0min

5min

10min

15min

Switch 1 = ON NO  
Switch 1 = OFF NC

Switch 2	Switch 3	Time
OFF	OFF	2 Min
OFF	ON	7 Min
ON	OFF	12 Min
ON	ON	17 Min

→...t



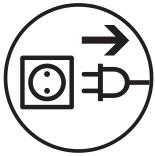
## Replacing the fuse



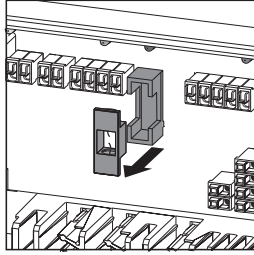
EN **DANGER** Danger of electrocution  
 ▶ Disconnect the device from the power supply before assembly or disassembly

**DANGER**

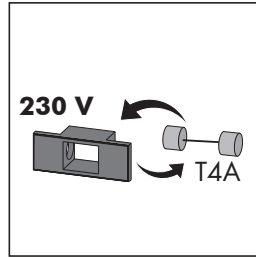
1



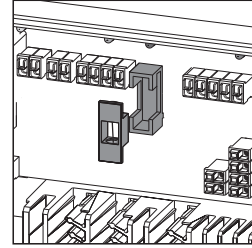
2



3

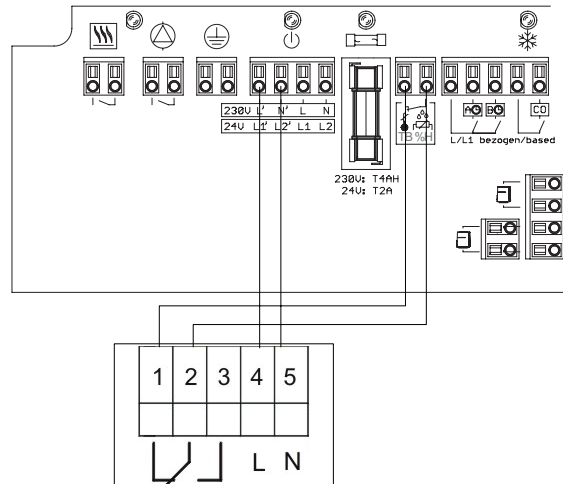


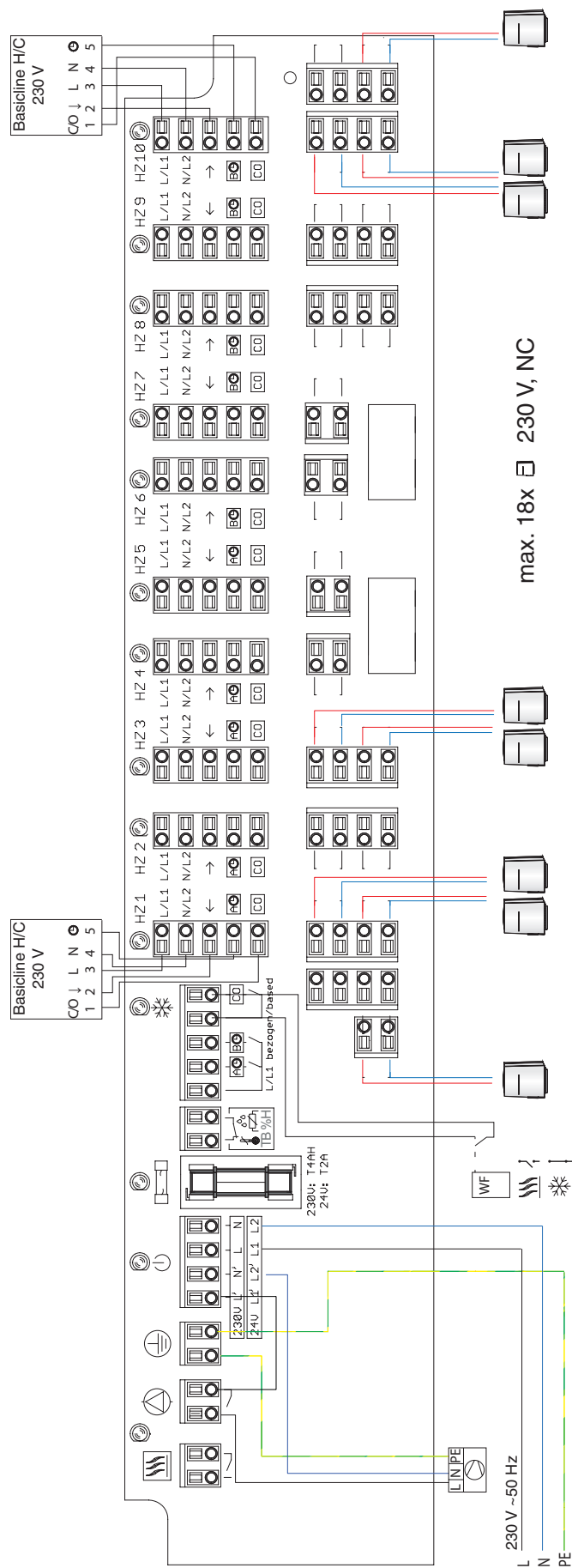
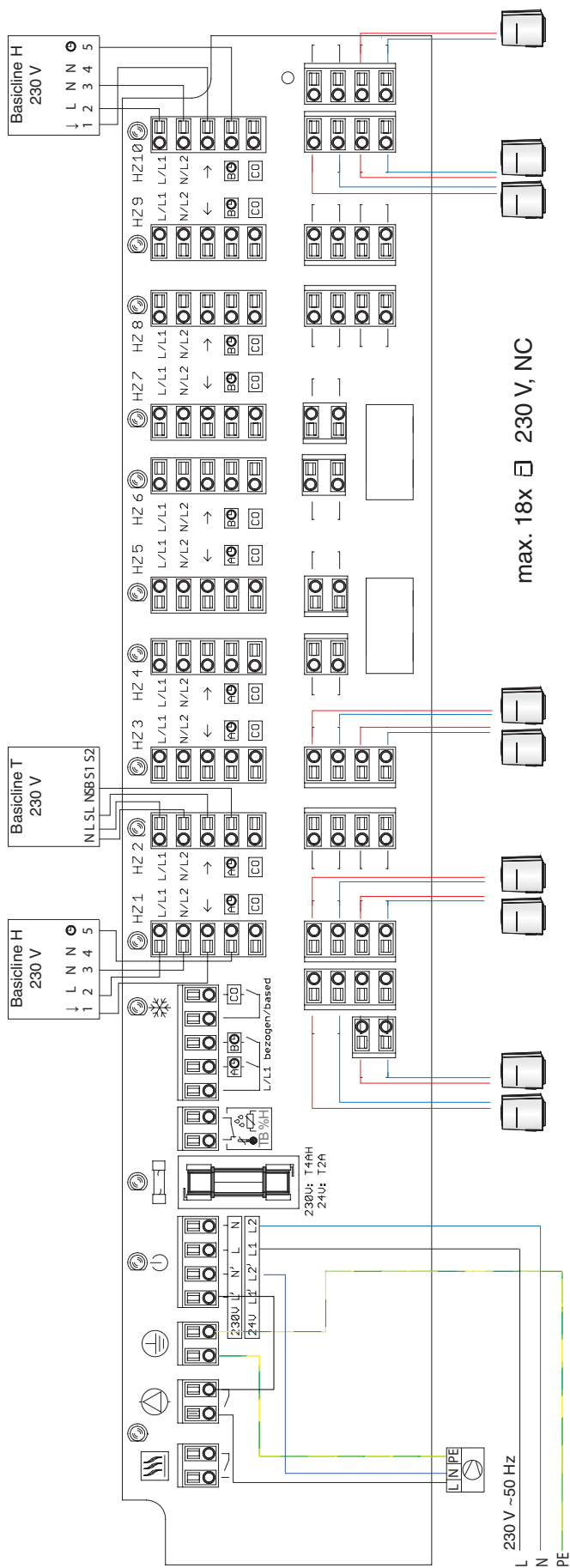
4



1135007863

230 V humidity sensor with monitor functions





Operating voltage		230 V~ ±10 % 50...60 Hz
Distributor fuse		230 V / T4A
Circuits/zones		10
Time channels/set-back		2
Admissible ambient temperature		0...50 °C
Admissible storage temperature T		-20...70 °C
Admissible ambient humidity		<80 % rF
Number of actuators		max. 18
Pump connection		max. 6 (2) A
Boiler connection		max. 6 (2) A
Set-back		Potential-free contact input
Heating/ cooling		Potential-free contact input
TB or dew point		Potential-free contact input
Housing material		Flame-retardant plastic, ABS iron-grey RAL7011
Plastic cover		Transparent grey
Fitting		Mounted on wall or 35 mm DIN rail
Connection terminals		Terminals with spring technology, for 0.2 to 1.5 mm <sup>2</sup>
Power cable		solid: NYM-J/NYM-O (5 × 1.5 mm <sup>2</sup> max.), flexible: H03V2V2H2-F / H05V2V2H2-F

Cord grip	Integrated in housing
Protection class 230 V	IP 20 (EN 60529)
Type of protection	III (EN 60730)
Accessories 1135007863	230 V humidity sensor with monitor functions



EN QR Code for complete product information

Roth UK Ltd.  
[www.roth-uk.com](http://www.roth-uk.com)